

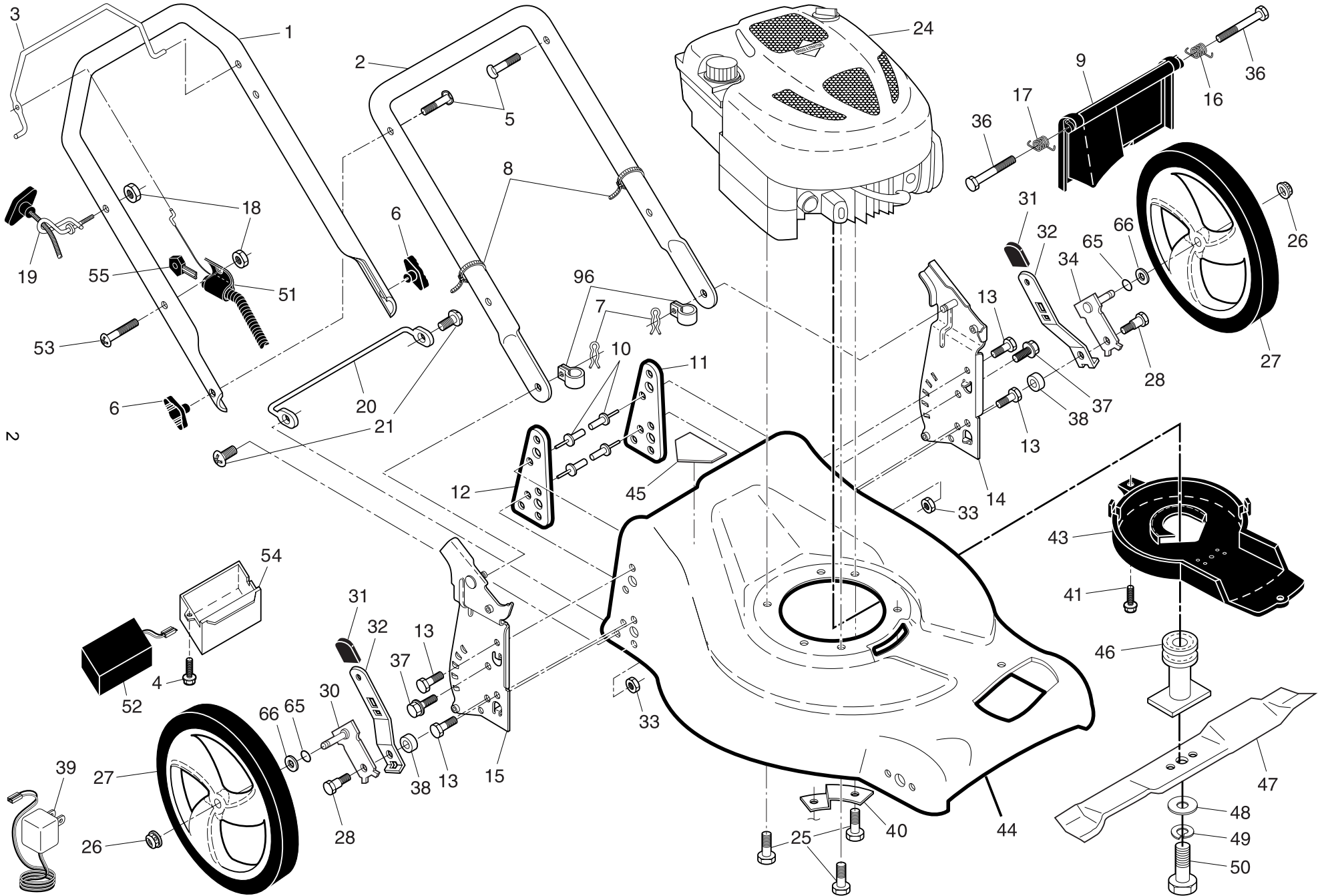
**ILLUSTRATED PARTS LIST**

**MODEL NUMBER 5553CMDEW**

**PRODUCT NUMBER 961 41 01-55**

**MFG. ID. NUMBER 96141015500**

**ROTARY LAWN MOWER - - MODEL NUMBER 5553CMDEW (96141015500) PRODUCT NUMBER 961 41 01-55**



# ROTARY LAWN MOWER - - MODEL NUMBER 5553CMDEW (96141015500) PRODUCT NUMBER 961 41 01-55

| KEY NO. | PART NO.            | DESCRIPTION  | KEY NO. | PART NO.     | DESCRIPTION   |
|---------|---------------------|--|---------|--------------|---|
| 1       | 532 40 29-37        | Upper Handle   | 32      | 532 19 01-57 | Selector Spring   |
| 2       | 532 19 63-49        | Lower Handle   | 33      | 873 80 05-00 | Nut, Hex 5/16-18  |
| 3       | <b>532 18 96-86</b> | Control Bar  | 30      | 532 40 25-71 | Axle Arm Assembly, Rear, RH   |
| 4       | 532 14 18-41        | Screw, Battery Box   | 36      | 532 18 41-93 | Bolt  |
| 5       | 532 19 15-74        | Handle Bolt  | 38      | 819 11 22-06 | Washer, Flat  |
| 6       | 532 19 18-56        | Handle Knob  | 39      | 532 19 24-36 | Charger, Battery  |
| 7       | 532 05 17-93        | Hairpin Cotter   | 40      | 532 19 09-39 | Mounting Bracket, Debris Shield                                     |
| 8       | 532 06 64-26        | Wire Tie   | 41      | 532 19 23-25 | Screw, Debris Shield  |
| 9       | 532 40 69-85        | Rear Door Assembly   | 43      | 532 40 58-45 | Debris Shield   |
| 10      | 532 12 84-15        | Pop Rivet  | 44      | 532 40 93-64 | Kit, Lawn Mower Housing<br>(Includes Key Numbers 10, 11, 12 and 45) |
| 11      | 532 41 05-40        | Support Bracket, LH  | 45      | 532 18 21-66 | Danger Decal  |
| 12      | 532 41 05-42        | Support Bracket, RH  | 46      | 532 40 46-33 | Blade Adapter   |
| 13      | 817 06 04-10        | Screw 1/4-20 x 5/8   | 47      | 532 19 93-77 | Blade 21"   |
| 14      | 532 18 25-43        | Handle Bracket Assembly, LH  | 48      | 532 85 10-74 | Hardened Washer   |
| 15      | 532 18 25-45        | Handle Bracket Assembly, RH  | 49      | 532 85 02-63 | Helical Washer 3/8-24 x 1-3/8                                       |
| 16      | 532 40 54-17        | Spring, Rear Door, LH  | 50      | 532 85 10-84 | Hex Head Machine Screw 3/8-24 x 1-3/8 Grade 8                       |
| 17      | 532 40 54-18        | Spring, Rear Door, RH  | 51      | 532 18 35-67 | Key Start Switch (Includes Key)                                     |
| 18      | 532 13 20-04        | Locknut, Hex 1/4-20  | 52      | 532 18 95-89 | Battery   |
| 19      | 532 19 47-88        | Rope Guide   | 53      | 532 18 61-59 | Screw   |
| 20      | 532 41 05-36        | Foot Guard, C.E.   | 54      | 532 18 62-37 | Box, Battery  |
| 21      | 532 05 45-83        | Screw, Tapping 1/4-20 x 1/2  | 55      | 532 18 03-31 | Key   |
| 24      | - - -               | Engine, Briggs & Stratton, Model Number<br>128805 (order parts from engine manufacturer) | 65      | 532 19 74-80 | O-Ring  |
| 25      | 532 15 04-06        | Hex Head Thread Rolling Screw 3/8-16 x 1-1/8   | 66      | 532 08 83-48 | Washer, Flat 3/8  |
| 26      | 532 40 91-49        | Hex Flange Nut   | 96      | 532 19 79-91 | Clip, Cable   |
| 27      | 532 40 29-35        | Wheel & Tire Assembly  | --      | 532 18 21-34 | Decal, Warning (not shown)  |
| 28      | 532 16 08-28        | Shoulder Bolt 5/16-18 x .33  | --      | 532 41 01-76 | Operator's Manual, European   |
| 30      | 532 40 25-71        | Axle Arm Assembly, Rear, RH  | --      | 532 41 01-75 | Operator's Manual, Scandinavian                                     |
| 31      | 532 08 78-77        | Selector Knob  | --      | 532 41 01-77 | Operator's Manual, Baltic   |

**NOTE:** All component dimensions given in U.S. inches. 1 inch = 25.4 mm. **IMPORTANT:** Use only Original Equipment Manufacturer (O.E.M.) replacement parts. Failure to do so could be hazardous, damage your lawn mower and void your warranty.



# ROTARY LAWN MOWER - - MODEL NUMBER 5553CMDEW (96141015501) PRODUCT NUMBER 961 41 01-55

| KEY NO. | PART NO.     | DESCRIPTION  | KEY NO. | PART NO.       | DESCRIPTION        |
|---------|--------------|--|---------|----------------|--------------------|
| 1       | 532 18 45-88 | Drive Control Assembly (Includes Cable)                | 54      | 532 40 19-05   | Grassbag Assembly  |
| 2       | 532 19 10-19 | Bearing, Wheel Adjuster                                | 57      | 532 40 18-02   | Frame, Grassbag    |
| 3       | 532 17 52-62 | Pan Head Tapping Screw #10-24 x 2-3/4                  | 60      | 532 18 34-97 * | Case, Lower        |
| 4       | 532 15 87-55 | Hex Washer Head Screw 1/4-20 x 2.12                    | 61      | 532 18 34-98 * | Case, Upper        |
| 5       | 532 17 54-36 | V-Belt   | 62      | 532 18 34-99   | Gear, 27 Teeth     |
| 6       | 532 15 04-95 | Spring Retainer  | 63      | 532 18 35-00   | Lever, Clutch      |
| 7       | 532 19 17-30 | Nut, Hex, Flanged 1/4-20                               | 64      | 532 18 35-01   | Spring, Return     |
| 9       | 532 40 91-48 | Locknut, Hex   | 65      | 532 18 35-02   | Shaft, Input       |
| 11      | 532 40 29-36 | Wheel & Tire Assembly, Front, 8"                       | 66      | 532 18 35-03   | Dog, Movable       |
| 12      | 812 00 00-58 | E-Ring   | 67      | 532 18 35-04   | Dog, Fixed         |
| 13      | 532 40 38-49 | Pinion   | 68      | 532 18 35-05   | Wire, Formed       |
| 14      | 532 18 94-03 | Dust Cover   | 69      | 532 18 35-06   | Bearing, Ball      |
| 15      | 532 19 10-17 | Pawl, Drive  | 70      | 532 18 35-07   | Fork, Shift        |
| 16      | 532 06 77-25 | Washer 1/2 x 1-1/2 x .134                              | 71      | 532 18 35-08   | Seal, Output Shaft |
| 18      | 532 08 78-77 | Selector Knob  | 72      | 532 18 35-09   | Washer             |
| 28      | 532 18 14-68 | Drive Cover  | 73      | 532 18 35-10   | Seal, Case         |
| 35      | 532 40 88-02 | Kit, Wheel Adjuster, LH<br>(Includes Knob and Bearing) | 74      | 532 18 35-11   | Bushing            |
| 36      | 532 19 92-05 | Gear Case Assembly, Complete                           | 75      | 532 19 66-13   | Shaft, Output      |
| 38      | 873 80 04-00 | Locknut, Hex 1/4-20                                    | 76      | 532 18 35-13   | Screw              |
| 40      | 532 13 70-90 | Spring   | 77      | 532 18 35-14   | Seal, Input Shaft  |
| 41      | 532 40 88-03 | Kit, Wheel Adjuster, RH<br>(Includes Knob and Bearing) | 78      | 532 19 98-52   | Drive Pulley       |
|         |              |  | 79      | 532 19 94-19   | Pin, Retaining     |

\* Use Dow Corning #709 to reseal Gear Case Halves.

**NOTE:** All component dimensions given in U.S. inches. 1 inch = 25.4 mm. **IMPORTANT:** Use only Original Equipment Manufacturer (O.E.M.) replacement parts. Failure to do so could be hazardous, damage your lawn mower and void your warranty.